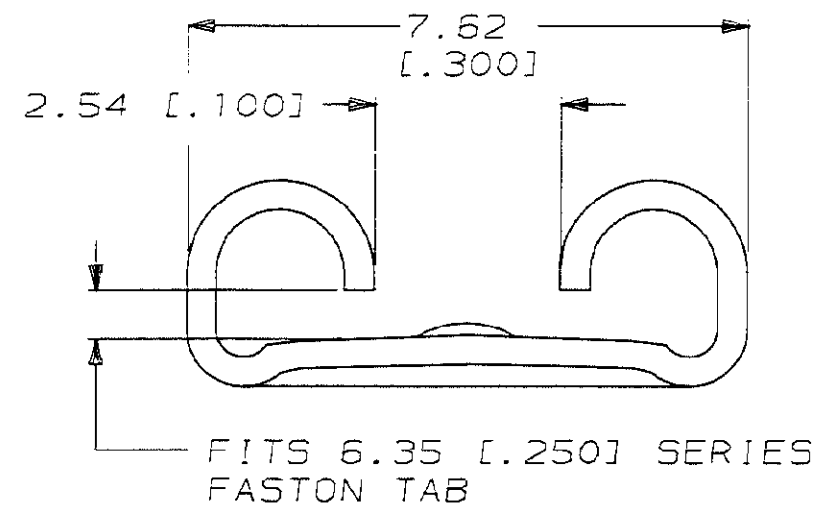
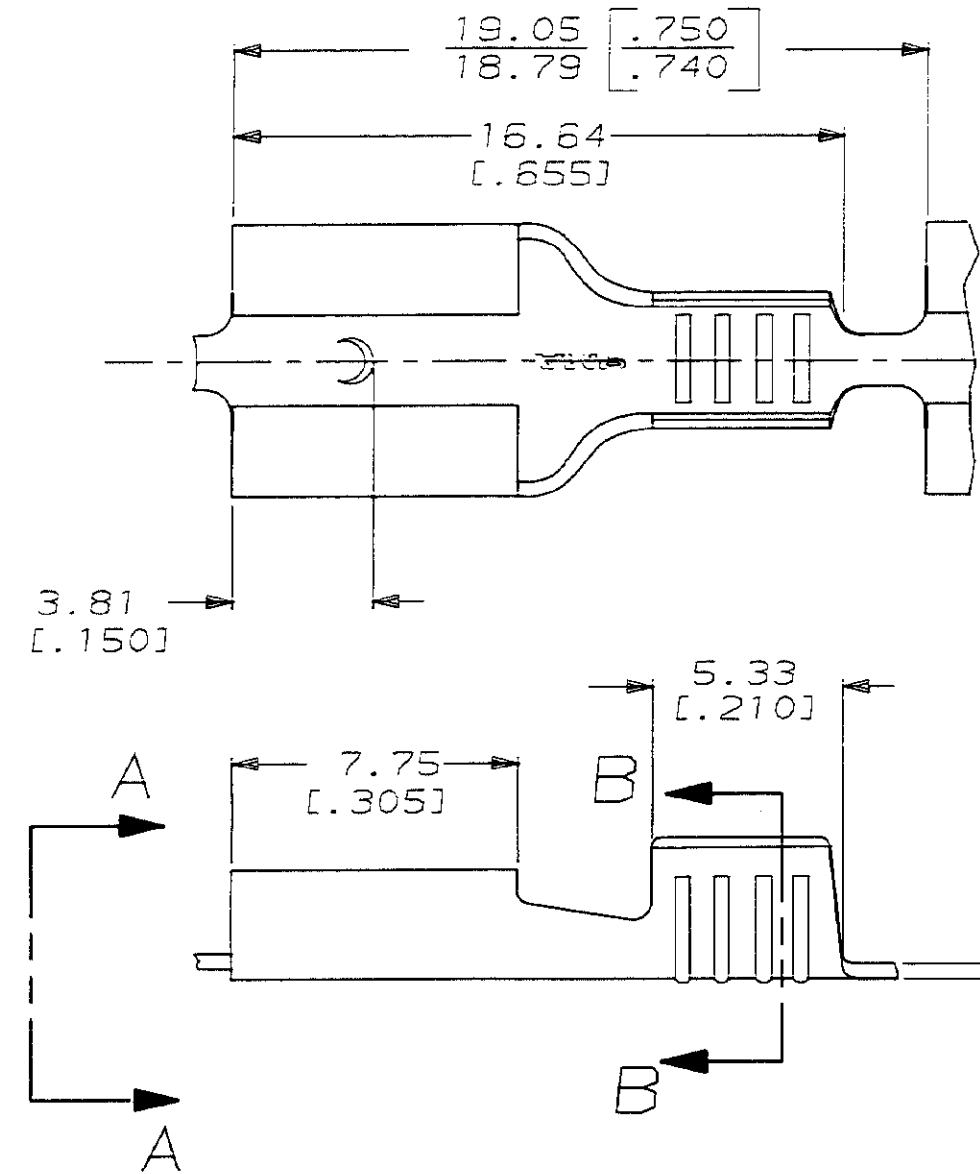


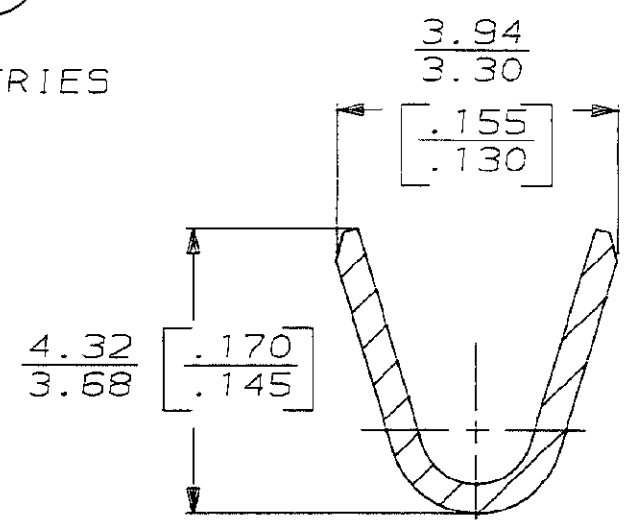
THIS DRAWING IS UNPUBLISHED. RELEASED FOR PUBLICATION
 © COPYRIGHT 19 BY AMP INCORPORATED. ALL INTERNATIONAL RIGHTS RESERVED.

| LOC | DIST | P | F | ZONE | LTR | REVISIONS | DATE | APPD |
|-----|------|---|---|------|-----|-----------------|---------|-------|
| AF | 50 | | | | D | REVISED AF-7653 | 10/9/91 | JR/CM |



VIEW A-A
SCALE 10:1

1 CONTINUOUS STRIP ON REELS.



SECTION B-B
SCALE 10:1



| | | | |
|--|---|---|--------------------|
| TIN 0.002032 [.000080] MIN | 0.8-2.0mm ² [18-14] | 0.813 [.032] | 60938-2 60938-1 |
| FINISH | WIRE SIZE | MATING TAB THK ±0.025 ±[.001] | PART NO |
| DO NOT SCALE PRINT. UNLESS SPECIFIED DIMENSIONS IN mm [INCHES] TOLERANCES ON: 2 PLC DEC ± - 3 PLC DEC ± 0.25 [.010] ANGLES ± - | DR 3/15/90 JR RUTH CHK 3/15/90 MS FEHER APPD 3/15/90 C MEYERS APPD 3/15/90 R KUZO PRODUCT SPEC - | AMP INCORPORATED Harrisburg, Pa. 17105 | |
| MATERIAL 4M BRASS | FINISH SEE TABLE | NAME RECEPTACLE, FASTON, 6.35 [.250] SERIES | |
| | APPLICATION SPEC - | SIZE B | CAGE CODE 00779 |
| | WEIGHT - | DRAWING NO 60938 | SCALE 5:1 |
| | | SHEET 1 OF 1 | |